

Mercury 233: All-in-One Energy Storage System

AI-Powered | EU Brand & Local Support



Safe and Efficient

- Efficient and intelligent thermal management design
- Hierarchical linkage protection
- Cabinet fire barrier, 1200°C * 2h



Smart and Friendly

- With energy storage cloud platform, full life cycle health management
- Built-in EMS, multiple operating modes to increase revenue
- Strong compatibility, support remote upgrade and control



Economical and Reliable

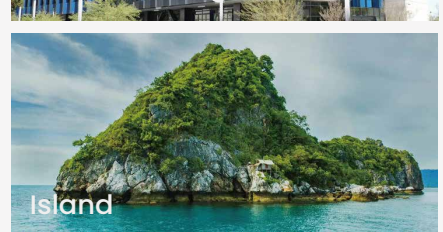
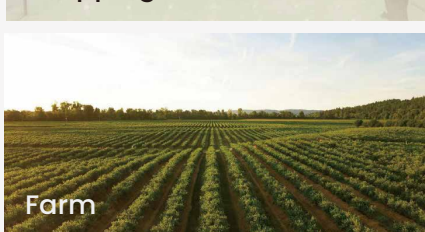
- Highly integrated design, system efficiency up to 88%
- Adopt lithium iron phosphate long - life battery with a cycle life of 8000 cycles
- 30% lower energy consumption than air-cooling system

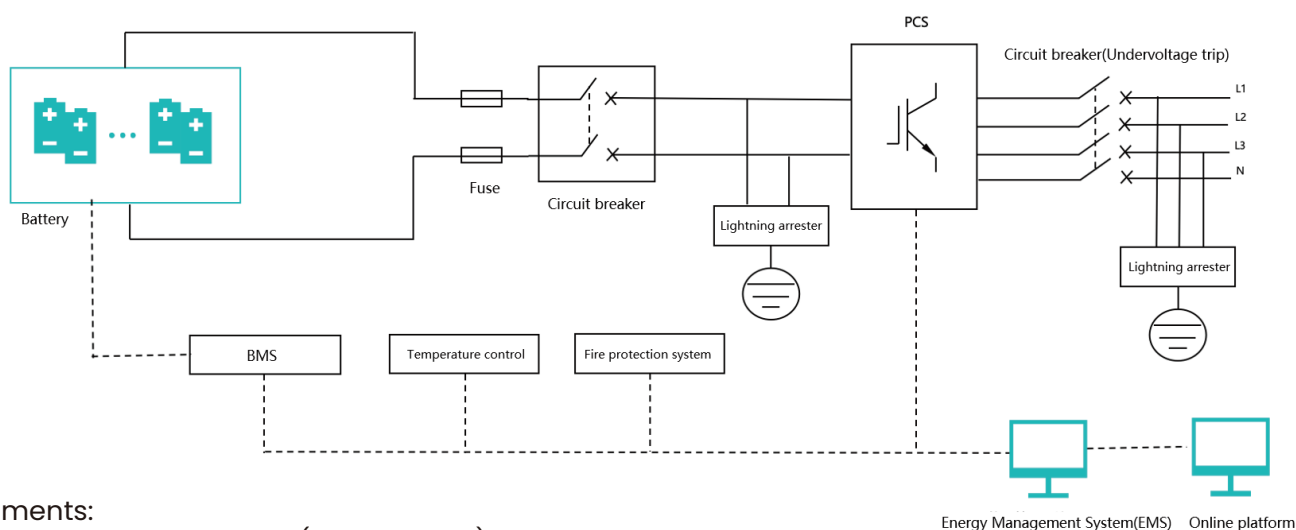


Flexible Layout

- All - in - one design, can be directly connected to the low-voltage distribution network
- Adapt to different application scenarios
- Easy installation and debugging, flexible

Application Scenarios





Comments:

- 1) 2 layers of BMS architecture(master-slave);
- 2) local controller(EMS) integrated help control and manage the operation of system.

MODEL	Europe	Specification
Items	specification	
PCS(AC Side)		
Rated AC Power	105kW	
Rated Current	152A	
Output	400 VAC	
Overload Capability	110% of rated power	
Battery(DC side)		
Chemistry	LFP	
Nominal Capacity	280Ah	
Power Rate	0.5P	
Battery Pack Configuration	1P52S	
Battery Rack Configuration	1P260S	
System Rated Voltage	832V	
Operating Voltage Range	728-936V	
System		
Rated Energy	233kWh	
Cycle Life	8000 cycles @ (0.5P/0.5P, DOD100%, 70%EOL)	
Cooling Way	liquid cooling	
Fire Suppression	PACK grade (aerosol) + Cluster grade (aerosol + water spray)	
Communication Way	CAN/RS485/Ethernet	
IP Rating	IP54 for cabinet,IP67 for pack	
Weight	≤ 2800kg	
Dimension(W*D*H)	(1560.0+5.0)*(1435.0+5.0)*(2385.0+5.0)mm	
Certification	IEC62619 IEC62477 IEC63056 IEC61000	