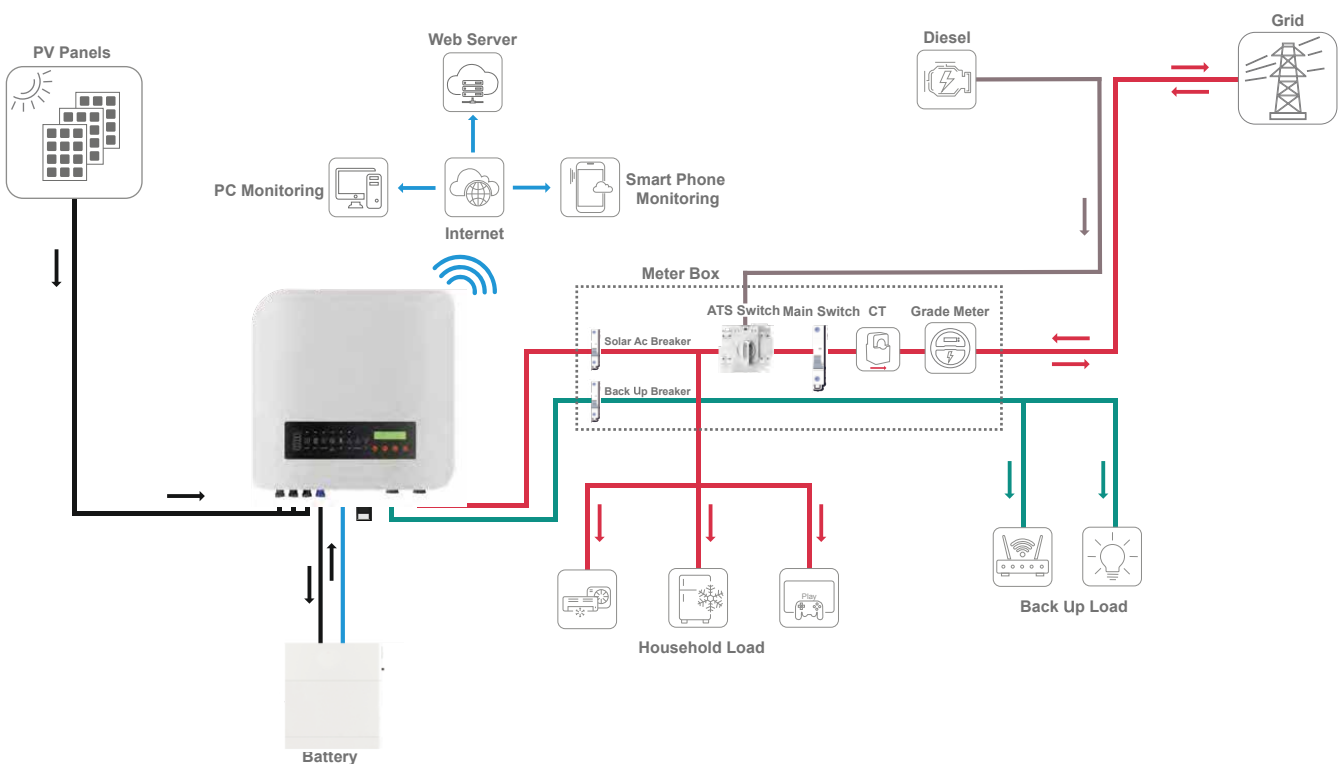


# Three Phase · High Voltage Hybrid Inverter

**PHT4-20K-M1**



Model	PHT4K-M1	PHT5K-M1	PHT6K-M1	PHT8K-M1	PHT10K-M1	PHT12K-M1	PHT15K-M1	PHT18K-M1	PHT20K-M1
<b>Battery Data</b>									
Battery type	Li-ion								
Battery voltage range(V)	80~800								
Max. charging/discharging current(A)	60/60								
Rated charging current/discharging current(A)	50/50								
Charging strategy for Li-ion battery	Self-adaption to BMS								
Communications	RS485, CAN								
<b>PV String DC Input Data</b>									
Recommended max. PV power(KW)	6.4	8	9.6	12.8	16	19.2	24	28.8	32
Max. input voltage(V)	1100								
Start-up voltage(V)/ Min.input DC operation voltage(V)	50/40								
MPPT voltage range(V)	100~1080								
Max. input current(A)	20/20	20/20/20			20/20/40				
Max. short circuit current(A)	30/30	30/30/30			30/30/60				
MPPT number	2	3			3				
Strings number per MPPT	1/1	1/1/1			1/1/2				
<b>AC Output Data(On-Grid Side)</b>									
Rated output power(KW)	4	5	6	8	10	12	15	18	20
Rated/Max. apparent output power(KVA)	4/4	5/5	6/6	8/8	10/10	12/12	15/15	18/18	20/20
Rated grid output current(A)	5.8	7.2	8.7	11.6	14.5	17.4	21.7	26.1	29.0
Max. output current(A)	5.8	7.2	8.7	11.6	14.5	17.4	21.7	26.1	29.0
Operation phase	3P								
Rated grid voltage/range(V) (3P/N/PE)	220/380, 230/400, 240/415, 312~520								
Rated grid frequency(Hz)	50/60								
Power Factor	>0.99, (-0.8 to +0.8 adjustable)								
THDi	< 3%								
<b>AC Output Data(Back-Up/UPS Side)</b>									
Rated output power(KW)	4	5	6	8	10	12	15	18	20
Peak apparent output power(KW), for 60S	8	10	12	16	20	20	22.5	22.5	24.0
Back-Up/UPS switch time(ms)	<10								
Rated output voltage/range(V) (3P/N/PE)	220/380, 230/400, 240/415, 312~520								
Rated frequency(Hz)	50/60								
Rated output current(A)	5.8	7.2	8.7	11.6	14.5	17.4	21.7	26.1	29.0
THDv(@linear load)	< 2%								
<b>Efficiency</b>									
Max. efficiency	98.8%								
EU efficiency	98.3%								
<b>Protection</b>									
Ground fault monitoring	Yes								
Output over voltage protection	Yes								
Anti-islanding protection	Yes								
Integrated AFCI	Optional								
DC reverse-polarity protection	Yes								
AC short circuit protection	Yes								
Leakage current protection	Yes								
Surge protection	Yes								
DC switch(solar)	Yes								
Battery input reverse polarity protection	Yes								
Over voltage category	AC ClassIII/PV ClassII								
<b>General Data</b>									
Dimensions(mm) (W*H*D)	507*522*185								
Shell material	Aluminium alloy								
Weight(Kg)	20								
Operating ambient temperature range	-25~60 C								
Topology	Transformerless								
Ingress protection	IP66								
Cooling concept	Smart fan&Natural convection								
Max. operation altitude(m)	3000								
Grid connection standard	AS/NZS 4777.2:2020, EN50549-1:2019, G98:2021, G99:2021, NC RFG, PTPIREE, ABNT NBR 16149, ABNT NBR 16150, VDE-AR-N 4105, CEIO-21, RD1699								
Safety/EMC standard	IEC-62109-1/-2, IEC-62477-1/-2, IEC-61000-6-1/-2/-3, NB/T32004								
DC connection	MC4/D4								
Communications	Wifi, 4G, GPRS, Bluetooth, RS485, CAN								