

Mercury 233: All-in-One Energy Storage System

AI-Powered | U.S. Brand & Local Support



Safe and Efficient

- Efficient and intelligent thermal management design
- Hierarchical linkage protection
- Cabinet fire barrier, 1200°C * 2h



Smart and Friendly

- With energy storage cloud platform, full life cycle health management
- Built-in EMS, multiple operating modes to increase revenue
- Strong compatibility, support remote upgrade and control



Economical and Reliable

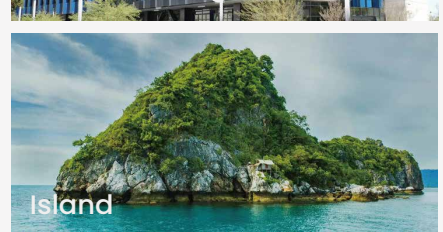
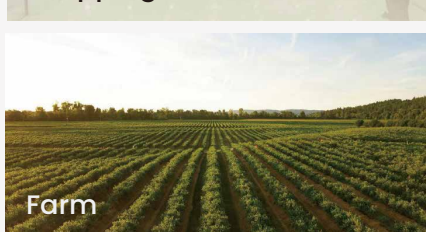
- Highly integrated design, system efficiency up to 88%
- Adopt lithium iron phosphate long - life battery with a cycle life of 6000 cycles
- 30% lower energy consumption than air-cooling system



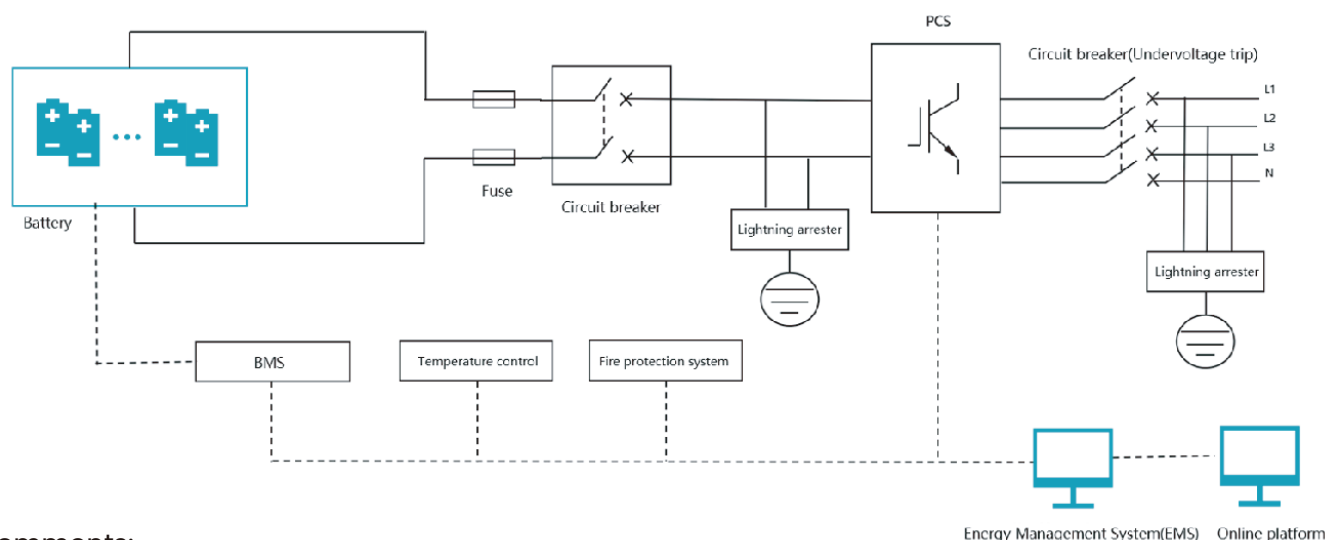
Flexible Layout

- All - in - one design, can be directly connected to the low-voltage distribution network
- Adapt to different application scenarios
- Easy installation and debugging, flexible

Application Scenarios



Mercury 233kWh



Comments:

- 1) 2 layers of BMS architecture(master-slave);
- 2) local controller(EMS) integrated help control and manage the operation of system.

| Items | Specification |
|-----------------------------|--|
| PCS(AC side) | |
| Rated AC Power | 125kW |
| Rated Current | 150A |
| Output | 480VAC |
| Overload Capability | 110% of rated power |
| Battery(DC side) | |
| Chemistry | LiFePO4 |
| Nominal Capacity | 280Ah |
| Power Rate | 0.5P |
| BBattery Pack Configuration | 1P52S |
| Battery Rack Configuration | 1P260S |
| System Rated Voltage | 832V |
| Operating Voltage Range | 728-936V |
| System | |
| Rated Energy | 233kWh |
| Cycle Life | 8000cycles @ (0.5C/0.5C, DOD90%, 70%EOL) |
| Cooling Way | liquid cooling |
| Fire Protection | PACK grade (aerosol) + Cluster grade (aerosol + water spray) |
| Communication Way | CAN/RS485/Ethernet |
| IP Rating | IP54 for cabinet,IP67 for pack |
| Weight & Dimension(W*D*H) | ≤ 2800kg & 1400*1380*2385 (mm) |
| Certification | UL1973 UL9540A UL9540 |